

Redondo 172



PHYSICAL PROPERTIES

Model: 172-4/8

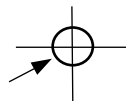
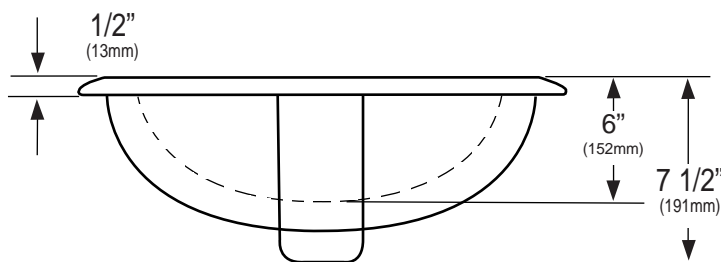
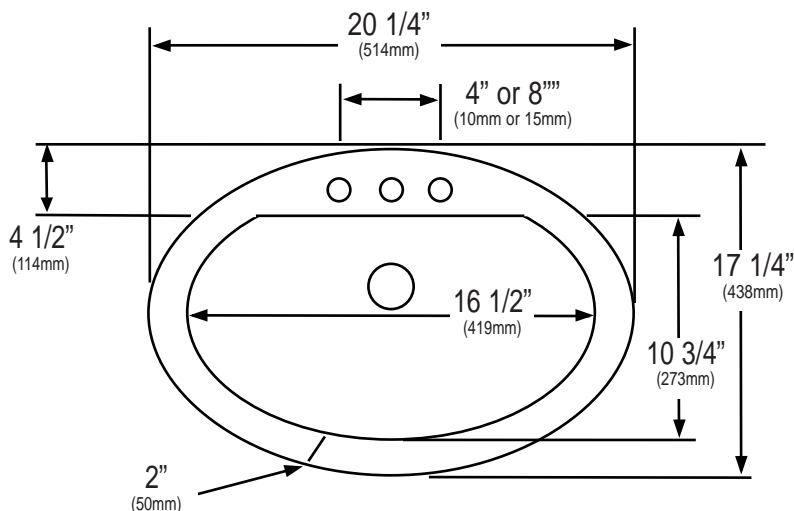
Width: 20 1/4" (514mm)

Depth: 17 1/4" (438mm)

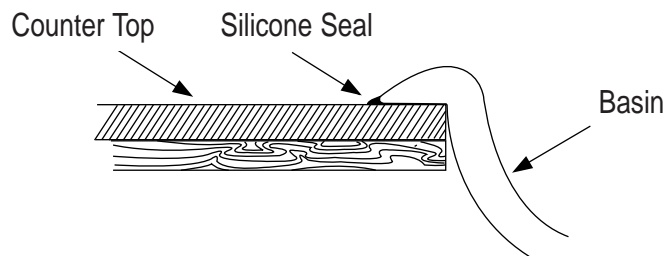
Shipping Weight: 19 lbs (8.6kg)

Shipping Cube: 1.90ft³ (0.06m³)

Mounting Hardware: None



Locate outlet 17 3/4" (451mm)
from floor



Dimensions in inches and millimeters Dimensions are subject to a variance of +/- 5%

TECHNICAL NOTES:

- 20 1/4" x 17 1/4" oval self-rimming counter top lavatory.
- 1/4" larger than standard - ideal for concealing old installations.
- Low profile for easy counter wiping.
- Our **Accu-tru**[™] low warpage edge means that the Redondo basin fits every counter top accurately.
- 4" and 8" centers
- Available in Ivory Bone, Cashmere and Western White.
- IAPMO[®] listed, CITY OF LOS ANGELES, NEW YORK STATE and approved.

4" Model #L172-4 - W, B, or C

8" Model #L172-8 - W, B, or C



WP Industries, Inc.

Toll Free: 877-WPWORKS

email: info@wpindustries.com / website: www.wpindustries.com

US Sales and Service

Canadian Sales

Phone 562.229.0910

Phone 604.688.2464

Fax 562.229.0930

Fax 604.688.0097